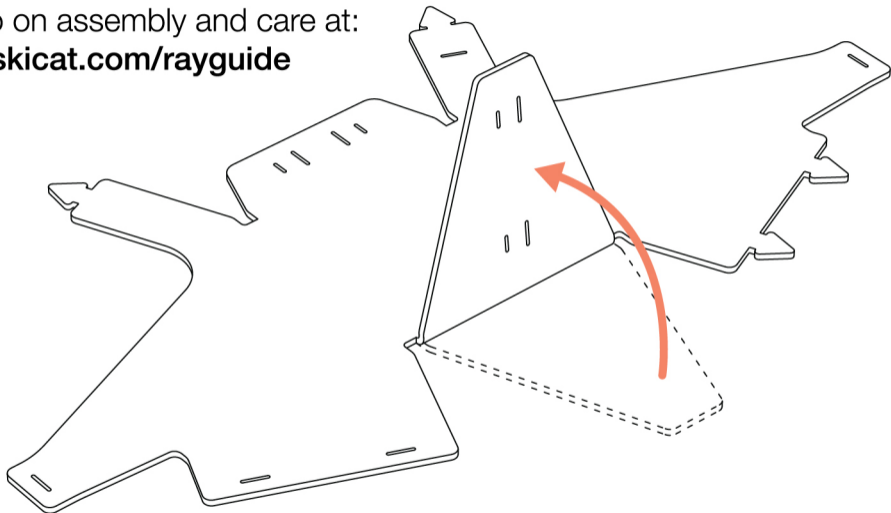




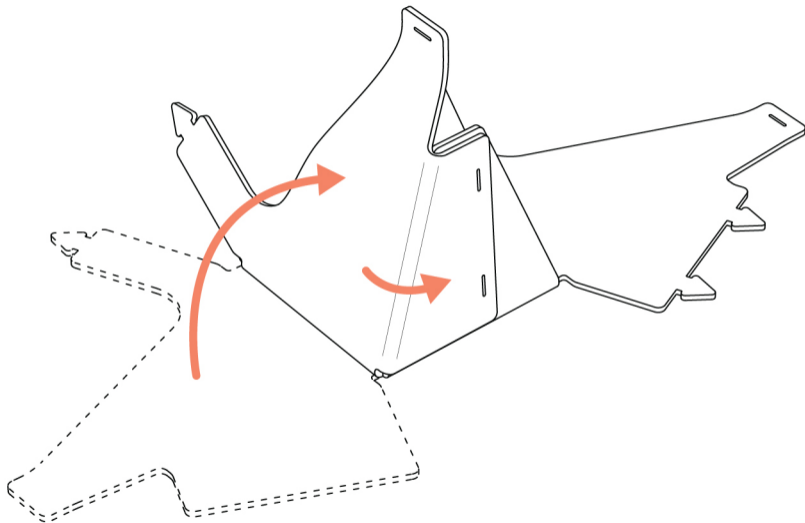
WISKI[®]

RAY CAT BED

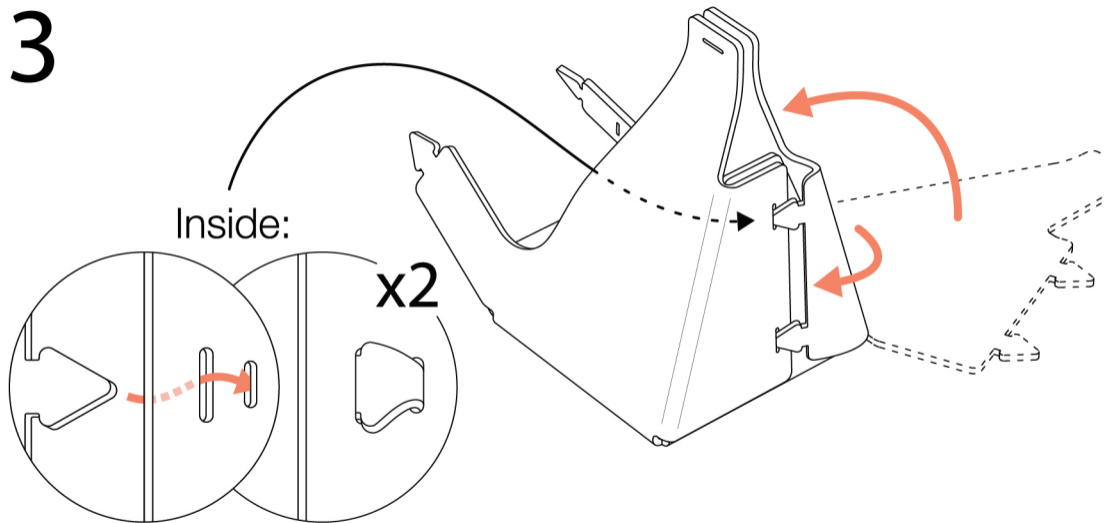
1 More info on assembly and care at:
www.wiskicat.com/rayguide



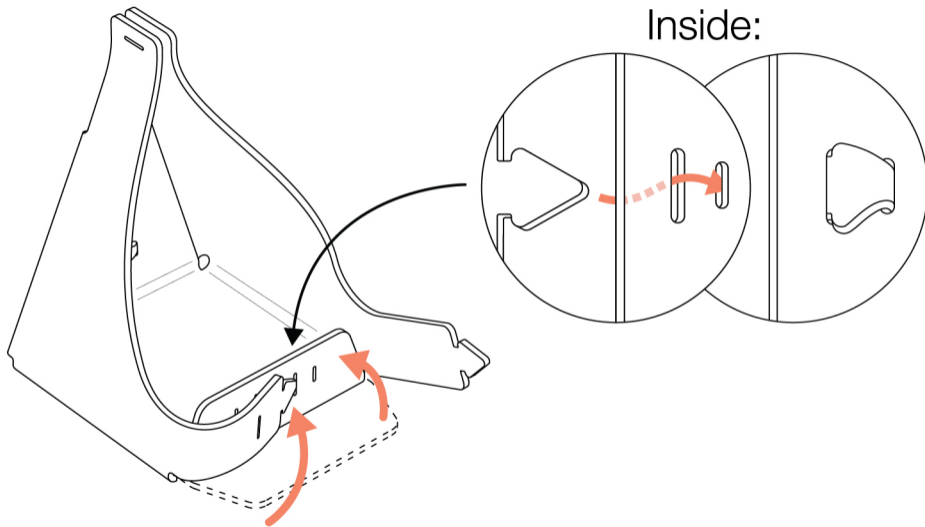
2



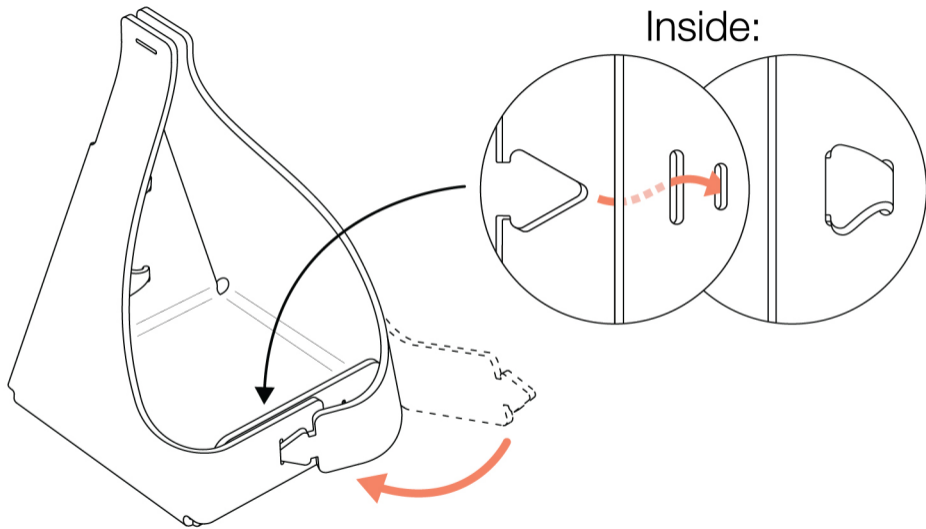
3



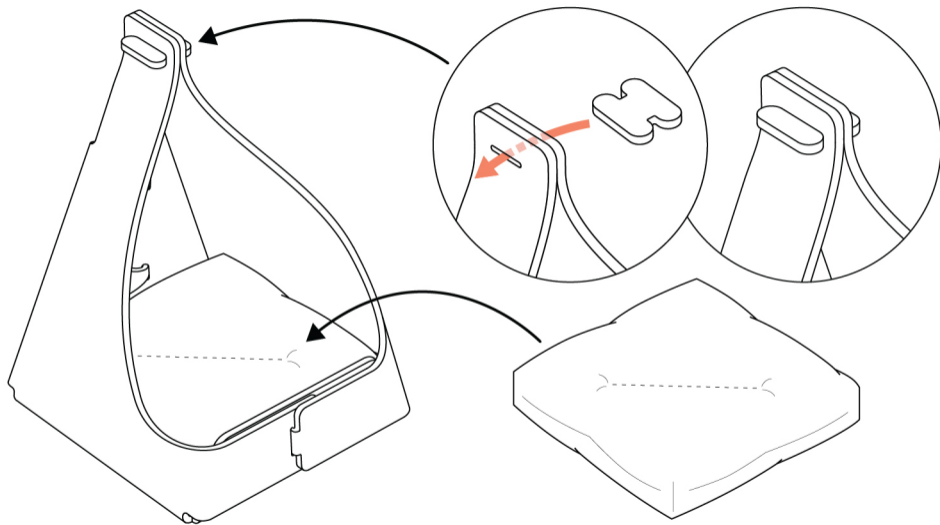
4



5



6



Have a question or need some help?

We're here for you. Contact us:

help@wiskicat.com



www.wiskicat.com

WISKI LLC, Chicago, IL 60625

Made in China

CARE INSTRUCTIONS:

Bed: Remove pet hair with a vacuum or lint roller. For stains, machine wash cold, delicate cycle. Hang dry. Do not iron. Do not bleach.

Cushion: Machine wash cold, delicate cycle. Tumble dry low. Do not bleach.

CAUTION: FOR PET USE ONLY, KEEP OUT OF REACH OF CHILDREN. Always supervise pets during use. Inspect regularly. Remove from pet if any part becomes loose, detached, or damaged. Do not use or store near heat or flame. Do not use or store in damp or wet area. Not for outdoor use.